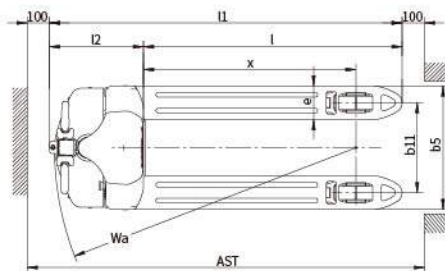
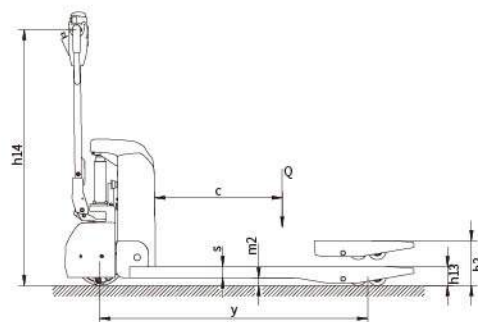


Manufacturer's Data and Design Characteristics									
Characteristics									
1.01	Manufacturer		HELI						
1.02	Model		CBD15J-Li3	CBD18J-Li3				CBD20J-Li3	
1.03	Power unit		Electric	Electric				Electric	
1.04	Operation		Pedestrian	Pedestrian				Pedestrian	
1.05	Rated traction weight	Q (t)	1.5	1.8				2.0	
1.06	Load centre	c (mm)	600	600				600	
1.07	Axle centre to fork face	x (mm)	944	944				944	
1.08	Wheel base	y (mm)	1190	1190				1190	
Weights									
2.01	Service weight with battery	kg	138	148				150	
Wheels/Tyres									
3.01	Wheels type		Polyurethane	Polyurethane				Polyurethane	
3.02	Driving wheel size	Φ×w(mm)	Φ210×70	Φ210×70				Φ210×70	
3.03	Bearing wheel size	Φ×w(mm)	Φ80×60	Φ80×60				Φ80×60	
3.04	Wheels, number front/rear (x = driven)		1x/4	1x/4				1x/4	
3.05	Track width	b11 (mm)	400/535	400/535				400/535	
Dimensions									
4.01	Lift	h3 (mm)	200	200				200	
4.02	Overall height(With handle)	h14 (mm)	725/1145	725/1145				725/1145	
4.03	Lowered height	h13 (mm)	85	85				85	
4.04	Overall length	l1 (mm)	1550	1550				1550	
4.05	Length to fork face	l2 (mm)	400	400				400	
4.06	Overall width	b1/ b2 (mm)	550/685	550/685				550/685	
4.07	Fork dimensions	s/e/l (mm)	50/150/1150	50/150/1150				50/150/1150	
4.08	Width of forks	b5 (mm)	550/685	550/685				550/685	
4.09	Min.Ground clearance	m2 (mm)	35	35				35	
4.10	Aisle width with pallet 1000 x 1200 across forks	Ast (mm)	1750	1750				1750	
4.11	Aisle width with pallet 800 x 1200 along forks	Ast (mm)	1800	1800				1800	
4.12	Min.Turning radius	Wa (mm)	1345	1345				1345	
Performance									
5.01	Travel speed,laden/unladen	(km/h)	4.2/4.5	4.2/4.5				4.2/4.5	
5.02	Maximum climbing ability, with/without load	(%)	5/10	5/10				5/10	
5.03	Service brake		Electromagnetic brake	Electromagnetic brake				Electromagnetic brake	
Drive									
6.01	Drive motor, 60 minute rating	(kW)	0.75	0.75				0.75	
6.02	Lift motor rating at S3 15%	(kW)	0.8	0.8				0.8	
6.03	Battery according to DIN 43531/35/36 A,B,C,no		no	no				no	
6.04	Battery voltage/rated capacity	(V/Ah)	24/20	24/30	24/40	48/15	48/20	48/15	48/20
6.05	Battery weight (± 5%)	(kg)	5.5	7	8.2	7	8.2	7	8.2
Others									
7.01	Type of drive control		DC	DC				DC	
7.02	Noise level at operator's ear	(dB(A))	≤70	≤70				≤70	
7.03	Steering type		Mechanical steering	Mechanical steering				Mechanical steering	
7.04	Controller brand		Curtis	Curtis				Curtis	



CBD15J/18J/20J-Li3

The 3rd Generation Lithium Battery Pallet Truck



ANHUI HELI CO., LTD.

Add / No.668, FangXing Road, Hefei, China
 Fax / +86-551-63639966
 Tel / +86-551-63639068(America); 63639258(Europe); 63639358(Asia);
 63662105(Africa & Middle East); 63639530(Overseas Marketing)



LinkedIn



YouTube



Facebook

Design&Print:Fokell Printing 20220407

EMPOWER THE WORLD

www.heliforklift.net

* Our products are subject to improvements and changes without notice.

1 EASY TO MAINTENANCE



Lithium battery, maintenance free



Brushless drive motor, maintenance free



5s Replace Battery



Error code display



Perfect after-sales and accessory services



Built-out charger is standard

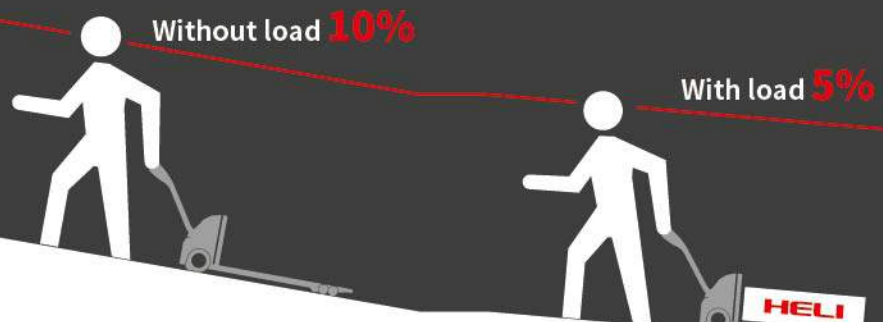
2 PERFORMANCE



Traveling speed

- − UNLADEN 4.5Km/h
- + LADEN 4.2Km/h

Gradeability



3 CHARACTERISTICS

closer look into



Built-in Charger (Optional)



Built-out Charger



Concave Design



Integral Forks



PU Wheel



Smart Handle (Optional)



Normal Handle



Emergency Power-off Switch



Wire Harness Fixing Block



Protection Cover

