

Standard and optional equipment

Standard equipment

Truck	Plenty of storage space for writing utensils, beverage cans, etc.
Linde twin drive pedals to control forward/reverse travel and braking	Superelastic tyres
Linde Load Control integrated in armrest	LPG truck fitted with two-way catalytic converter and the gas cylinder mount is ergonomically designed for easy changing
Container entry height (overhead guard 2170 mm)	LPG truck is fitted with accurate ultrasonic fuel level indicator for exchange cylinders
Hydraulic-suspension comfort-class seat with extensive range of adjustment	LPG volumetric fuel tank version has a fuel level indicator in the display consul
Hydrostatic steering with on-demand power assist	
High safety and stability ensured by Linde ProtectorFrame	
Air intake filter with integral cyclone separator	
High-performance hydraulic filter concept, preserves maximum oil purity and extends life of all hydraulic components	
Anti-glare display with fuel gauge, clock, hour meter and servicing information	
Control lights on display for engine oil pressure, engine overheating, parking brake, audible warning signal for engine and hydraulic oil temperature, blocked intake filter and low fuel level	
	Mast
	Standard mast lift height h3 = 3150 mm
	Standard, duplex and triplex masts
	Top-mounted tilt jacks
	Zero-maintenance mast and tilt jack cylinder mounting
	Rubber-mounted joints
	Electronic tilt angle limiting
	Fork length l = 1000 mm
	Fork carriage width b3 = 1080 mm (H20), 1150 mm (H25)

Options

Single drive pedal with direction selector positioned on armrest	Roof shade, clipboard, interior lighting, height-adjusting steering column
Standard masts from 3150 mm to 6550 mm lift	Truck lighting, work lamps
Duplex masts (full free lift) from 3170 mm to 4720 mm lift	Mirrors
Triplex masts (full free lift) from 4715 mm to 6465 mm lift	Highway specifications
Integral sideshift	Integral diesel particulate filter with charge status indicator on the display consul
Load backrest	Air precleaner
One or two auxiliary hydraulic circuits for all mast types	Audible reversing alarm, flasher and strobe beacons
Alternative fork lengths	Biodiesel (RME) fuel version
Overhead guard can be upgraded to full cabine with roof, front and rear screens and doors (also available with tinted glass)	Custom paintwork
Wiper-washers for front, rear and roof screens	
Seats providing additional comfort and adjustments	
Cab heater with integral pollen filter	
Radio with cassette player and speakers	Other options available on request.



Diesel and LPG Forklift Trucks Capacity 2000 – 2500 kg H 20, H 25

SERIES 392

Linde Material Handling

Linde

Features

Original Linde hydrostatic drive

- Responsive, smooth and precise driving
- No clutch, differential or drum brakes; hydrostatic drive assumes function of service brake
- Robust drive system, well proven in severest duty
- Low maintenance costs and long life

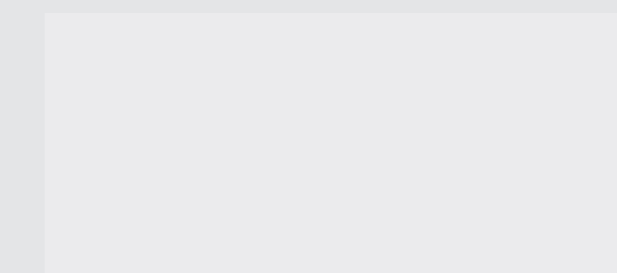
Linde twin drive pedals

- Quick change of forward/reverse direction without changing feet on pedals
- Short pedal stroke
- No leg fatigue
- Increased productivity



Linde operator compartment

- Designed to advanced ergonomic standards
- Spacious cab with automobile-equivalent legroom
- Excellent visibility of load and surroundings due to slim-line mast sections
- Cushioned drive axle reduces road shock
- Minimum driving noise



Linde AG

Linde Material Handling Division, Postfach 10 01 36, 63701 Aschaffenburg, Germany
Phone +49 6021 99-0, Fax +49 6021 99-1570, www.linde-forklifts.com, info@linde-forklifts.com



Linde ProtectorFrame

- Safe and robust chassis, enclosed on all sides
- Engine hood and servicing doors open wide for convenient access to all components

Linde Load Control

- Accurate, safe load handling
- Effortless fingertip control of all mast functions
- Traction and lift functions completely separate



Linde Truck Control

- Reliable electronic controller
- Easily matched to individual requirements
- High dependability resulting from redundant monitoring systems
- Automatic control of engine speed as function of load
- Casing totally enclosed for protection from dust and dirt

High-economy engine technology

- Diesel and LPG engines incorporating most advanced technology
- High torque
- Low fuel consumption
- Low exhaust gas and soot emission levels



Linde clear-view mast

- Superb visibility through slim-profile sections of mast
- Full load capacity up to maximum lift height
- Exceptional residual capacity
- Zero-maintenance rubber mounting of mast and tilt jacks
- Electronic limiting of tilt angle

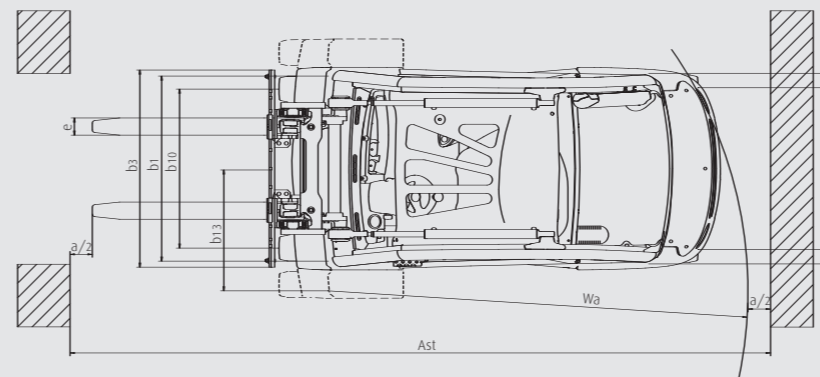
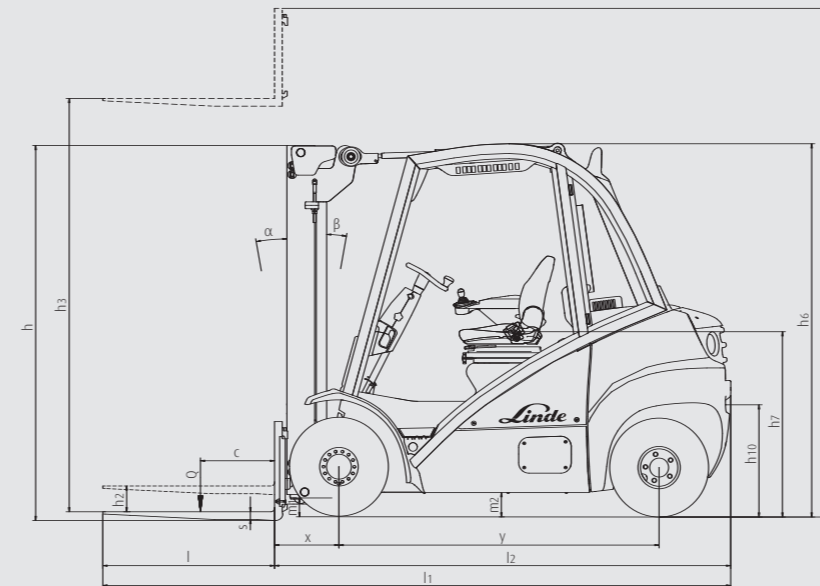


Technical data

Characteristics	1.1	Manufacturer	LINDE	LINDE	LINDE	LINDE	
	1.2	Model designation	H 20 D	H 20 T	H 25 D	H 25 T	
	1.3	Power unit: Battery, diesel, gasoline, LP gas, AC	Diesel	Treibgas	Diesel	Treibgas	
	1.4	Operation: Manual, pedestrian, rider stand, rider seat, order picker	Seated	Seated	Seated	Seated	
	1.5	Load capacity	Q (kg)	2000	2000	2500	2500
Weight	1.6	Load center	c (mm)	500	500	500	500
	1.8	Load distance	x (mm)	390	390	390	390
	1.9	Wheelbase	y (mm)	1865	1865	1905	1905
	2.1	Service weight	kg	3274	3255	3575	3556
	2.2	Axle load with load, front/rear	kg	4635/639	4599/656	5382/693	5347/709
Wheels and tyres	2.3	Axle load without load, front/rear	kg	1681/1593	1645/1610	1714/1861	1679/1877
	3.1	Tyres: Solid rubber (R), Superelastic (SE), Pneumatic (P), Polyurethane (PU)	SE	SE	SE	SE	
	3.2	Tyre size, front		23 x 9 - 10 ¹⁾	23 x 9 - 10 ¹⁾	23 x 9 - 10 ¹⁾	23 x 9 - 10 ¹⁾
	3.3	Tyre size, rear		6.50 - 10 ⁴⁾	6.50 - 10 ⁴⁾	6.50 - 10 ⁴⁾	6.50 - 10 ⁴⁾
	3.5	Wheels, number front/rear (x = driven)		2 (4) x / 2 ²⁾	2 (4) x / 2 ²⁾	2 (4) x / 2 ²⁾	2 (4) x / 2 ²⁾
	3.6	Track width, front	b10 (mm)	972 (1140) ³⁾	972 (1140) ³⁾	972 (1140) ³⁾	972 (1140) ³⁾
	3.7	Track width, rear	b11 (mm)	942 ⁷⁾	942 ⁷⁾	942 ⁷⁾	942 ⁷⁾
	4.1	Mast/fork carriage tilt, forward/back	a/b l	5/8	5/8	5/8	5/8
	4.2	Height of mast, lowered	h1 (mm)	2227 ³⁾	2227 ³⁾	2227 ³⁾	2227 ³⁾
	Dimensions	4.3	Free lift	h2 (mm)	150	150	150
4.4		Lift	h3 (mm)	3150	3150	3150	3150
4.5		Height of mast, extended	h4 (mm)	3703	3703	3793	3793
4.7		Height of overhead guard/cab	h6 (mm)	2170	2170	2170	2170
4.8		Height of seat	h7 (mm)	1065	1065	1065	1065
4.12		Height of tow coupling	h10 (mm)	655	655	645	645
4.19		Overall length	l1 (mm)	3635	3635	3675	3675
4.20		Length to fork face	l2 (mm)	2635	2635	2675	2675
4.21		Overall width	b1/b2 (mm)	1180 ⁶⁾	1180 ⁶⁾	1180 ⁶⁾	1180 ⁶⁾
4.22		Fork dimensions	s/e/l (mm)	45 x 100 x 1000	45 x 100 x 1000	45 x 100 x 1000	45 x 100 x 1000
4.23		Fork carriage to DIN 15173, Class/Form A, B		2A	2A	2A	2A
4.24		Width of fork carriage	b3 (mm)	1080 ⁹⁾	1080 ⁹⁾	1150 ⁹⁾	1080 ⁹⁾
4.31		Ground clearance under mast, with load	m1 (mm)	111	111	109	109
4.32		Ground clearance, center of wheelbase	m2 (mm)	131	131	129	129
4.33		Aisle width, 1000 x1200 mm pallet crosswise	Ast (mm)	3972	3972	4010	4010
4.34		Aisle width, 800 x1200 mm pallet lengthwise	Ast (mm)	4172	4172	4210	4210
4.35		Turning radius	Wa (mm)	2382	2382	2420	2420
4.36		Minimum pivot point distance	b13 (mm)	580	580	580	580
Performance	5.1	Travel speed, with/without load	km/h	22/22	22/22	22/22	22/22
	5.2	Lift speed, with/without load	m/s	0.55/0.56	0.55/0.56	0.55/0.56	0.55/0.56
	5.3	Lower speed, with/without load	m/s	0.56/0.56	0.56/0.56	0.56/0.56	0.56/0.56
	5.5	Tractive force, with/without load	N	15020/13190	15020/12910	15020/13450	15020/13180
	5.7	Climbing ability, with/without load	%	28/34	28/33	24/31	24/31
	5.9	Acceleration, with/without load	s	5.3/4.5	5.3/4.5	5.5/4.7	5.5/4.7
Drive	5.10	Service brake		hydrostatic	hydrostatic	hydrostatic	hydrostatic
	7.1	Engine manufacturer/type		VW/BEQ	VW/BEF	VW/BEQ	VW/BEF
	7.2	Engine output to ISO1585	kW	33	36	33	36
	7.3	Rated speed	min ⁻¹	2600	2600	2600	2600
	7.4	Number of cylinders/cubic capacity	cm ³	4/1896	4/1984	4/1896	4/1984
Others	7.5	Fuel consumption to VDI cycle	l/h	1,9/2,7 ¹⁰⁾	2,0/2,5 ¹⁰⁾	2,1/3,0 ¹⁰⁾	2,1/2,7 ¹⁰⁾
	8.1	Traction control		hydrostatic transmission	hydrostatic transmission	hydrostatic transmission	hydrostatic transmission
	8.2	Working pressure for attachments	bar	175 (190) ⁸⁾	175 (190) ⁸⁾	205 (220) ⁸⁾	205 (220) ⁸⁾
	8.3	Oil flow for attachments	l/min	32	32	32	32
	8.4	Noise level at driver's ear to EN 12053	dB(A)	79	79	79	79
8.5	Tow coupling, design/type		DIN 15170-H	DIN 15170-H	DIN 15170-H	DIN 15170-H	

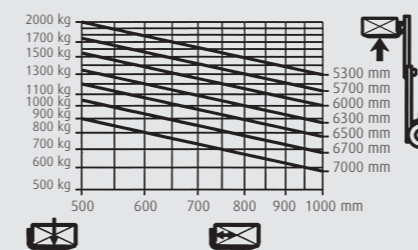
1) Optionally 6.50-10 twin tyres, P and SE; single tyres 23 x 9 -10/14PR and SE 23 x10-12
 2) Figures in parentheses for twin tyres
 3) With 150 mm free lift on standard mast
 4) Figures in parentheses for duplex/triplex masts
 5) Optionally 6.50 -10 /10 PR, 23 x 9 -10 (P and SE)
 6) 1024 mm for SE 23 x10-12 tyres

7) 1189 mm for 23 x 9 -10 /14 PR tyres, 1273 mm for 23 x10-12 tyres
 8) PR twin 1506 mm SE 6.50-10 twin tyres, 1550 mm for 6.50-10/10 PR twin tyres
 9) Track width 932 mm for 23 x 9-10 pneumatic tyres/SE
 10) Figures in parentheses for triplex mast
 11) 1500 mm for twin tyres
 11) Figure higher than previous due to amended measuring method in VDI Code 2198

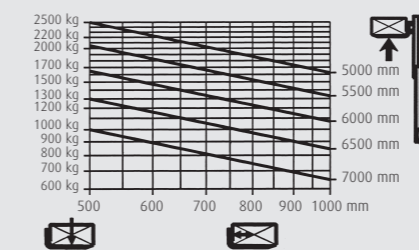


Lifting capacity diagrams

H20



H25



Lifting capacity diagrams valid with SE-tyres.



Standard mast (in mm)

Lift	h3	H 20/25	3150	3450	3750	4050	4550	-
Height of mast, lowered	h1	H 20/25	2227	2377	2527	2677	2927	-
Height of mast, extended	h4	H 20	3703	4103	4303	4603	5103	-
	H 25	3793	4193	4393	5473	6273	-	
Free lift	h2	H 20/25	150	150	150	150	150	-

Duplex mast (in mm)

Lift	h3	H 20/25	3170	3770	4070	-	-	-
Height of mast, lowered	h1	H 20/25	2154	2454	2604	-	-	-
Height of mast, extended	h4	H 20	3700	4300	4600	-	-	-
	H 25	3813	4413	4713	-	-	-	
Free lift	h2	H 20	1624	1924	2074	-	-	-
	H 25	1511	1811	1961	-	-	-	

Triplic mast (in mm)

Lift	h3	H 20/25	4715	5515	5965	6465	-	-
Height of mast, lowered	h1	H 20/25	2154	2454	2604	2804	-	-
Height of mast, extended	h4	H 20	5245	6045	6495	6995	-	-
	H 25	5258	6158	6608	7108	-	-	
Free lift	h2	H 20	1624	1924	2074	2274	-	-
	H 25	1511	1811	1961	2161	-	-	

Alternative lift heights on request.